

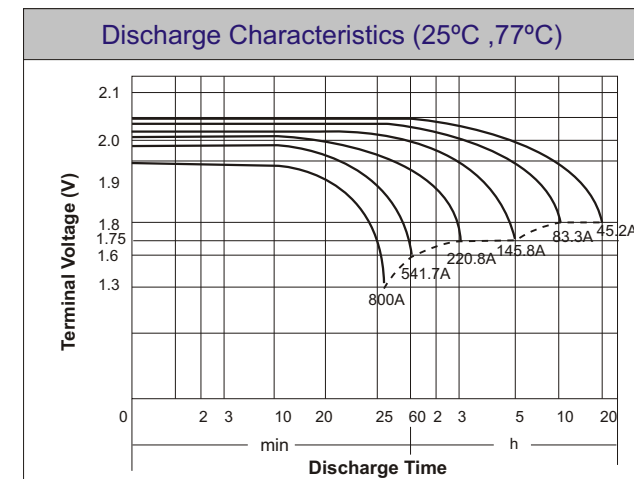
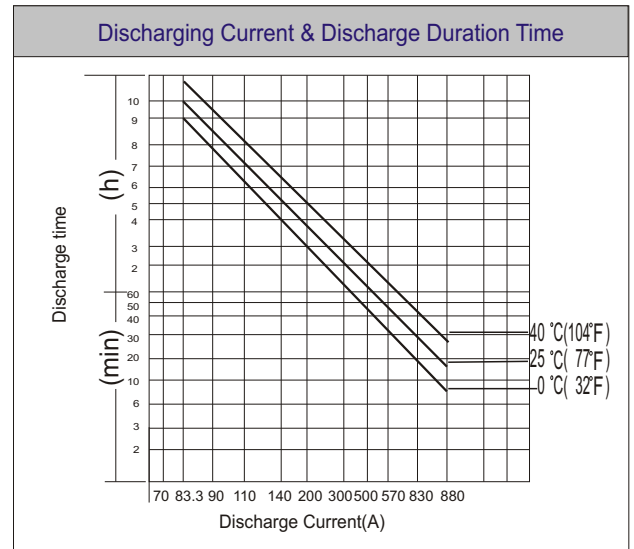
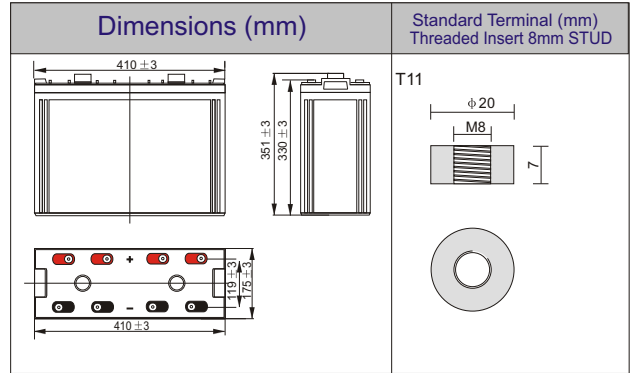


POWER-GUARD SERIES®



PG2V900

VRLA Sealed Long Life Battery



Physical Specification		
Nominal Voltage	2V	
Nominal Capacity (20HR)	904AH	
Dimension	Length	410 ± 3mm (16.14 inches)
	Width	175 ± 3mm (6.89 inches)
	Container Height	330 ± 3mm (12.99 inches)
	Total Height (with Terminal)	351 ± 3mm (13.82 inches)
Weight	Approx 56 kg (123.6lbs)	
Standard Terminal	T11 Threaded Insert 8mm STUD	

Electrical Specification					
Rated Capacity	20 hour rate (45.2 A)	904 AH	Constant Voltage	Cycle	Initial Charging Current less than 240A. Voltage 2.40V~ 2.50V at 25°C (77°F) Temp. Coefficient -5mV/°C
	10 hour rate (83.3 A)	833 AH			
	8 hour rate (100 A)	800 AH			
	5 hour rate (145.8 A)	729 AH			
	3 hour rate (220.8A)	662.4 AH			
1 hour rate (541.7A)	541.7 AH	Charge	Standby	No limit on Initial Charging Current Voltage 2.25V~2.30V at 25°C(77°F) Temp. Coefficient - 3mV/°C	
Capacity affected by Temperature	40°C (104°F)				103%
	25°C (77°F)				100%
	0°C (32°F)	86%			

Constant Current (Amp) and Constant Power (Watt) Discharge Table (25°C,77°F)											
Time(minute) Final voltage	30	45	60	120	180	240	300	360	480	600	1200
Amp/Watt/Cell	1.3	1.3	1.6	1.7	1.75	1.75	1.75	1.75	1.8	1.8	1.8
Amps	833.3	583.3	541.7	300.0	220.8	175.0	145.8	129.2	100.0	83.3	45.2
W/Cell	1575.0	1158.3	1072.5	596.7	440.0	349.2	290.8	258.2	200.0	166.7	90.4